

15.6"/17"/18.5"/21.5", Intel Bay Trail E3845/N2930, Fanless Industrial Compact Size Panel PC



AHMI-8XX Series



AHMI-816(P)/AHMI-818(P)



AHMI-817(P)/AHMI-821(P)

Features

- 15.6"/17"/18.5"/21.5" Industrial Compact Size Panel PC
- Flat front panel touch screen
- Fanless design
- Intel Bay Trail N2930(1.83GHz) CPU built-in/E3845(1.91GHz) for option
- Onboard 2GB DDR 3L 1600 MHz/4GB(option)
- 9~36VDC wide-ranging power input
- IP65 compliant front panel
- Optional projected capacitive touchscreen support 7H anti-scratch surface

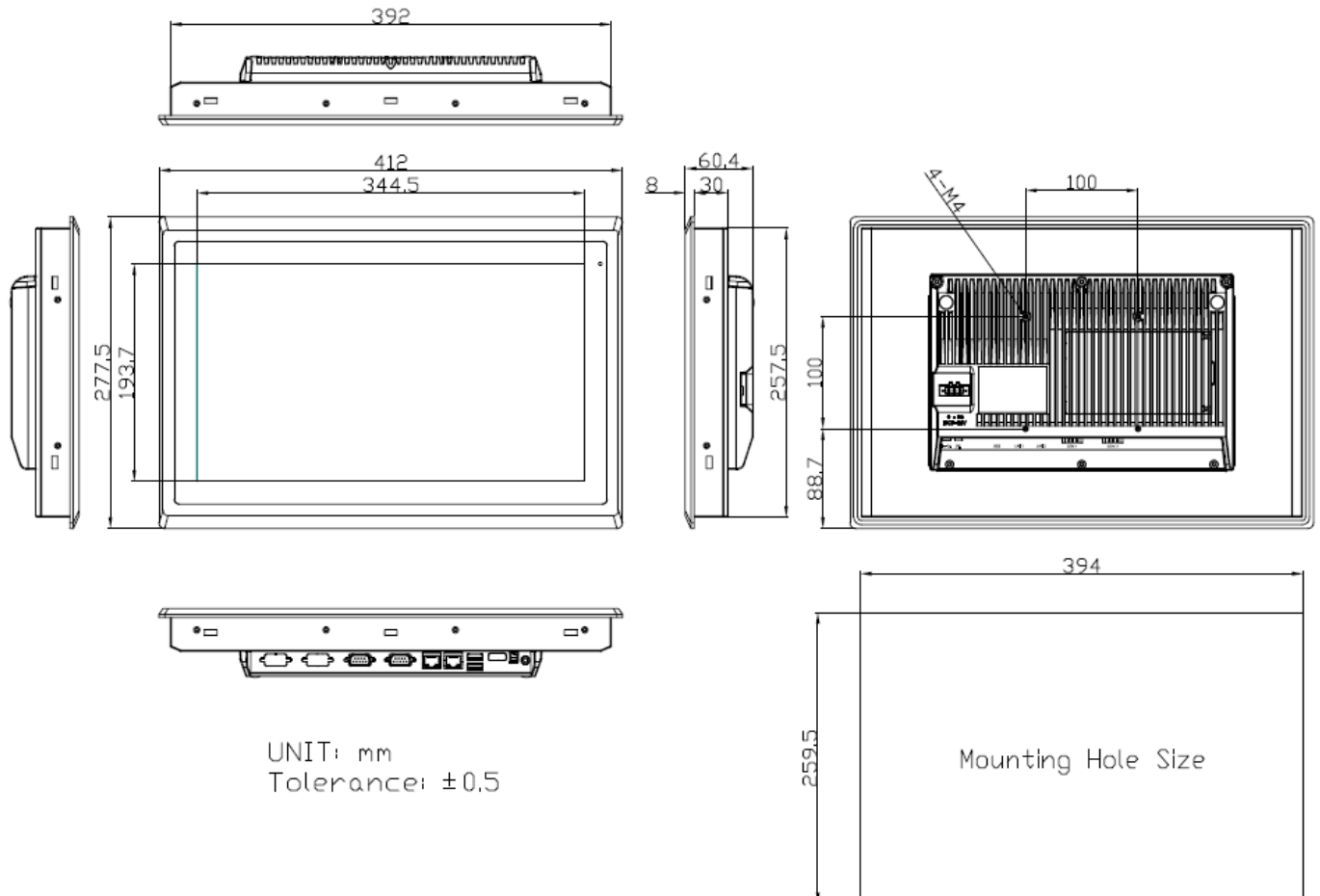
Specifications

	AHMI-816(P)	AHMI-817(P)	AHMI-818(P)	AHMI-821(P)
System				
CPU	Onboard Intel Bay Trail N2930(1.83GHz) Processor/E3845(1.91GHz) for option			
System Chipset	SoC			
System Memory	Onboard 2GB DDR 3L 1600 MHz/4GB(option)			
IO Port				
USB	1 x USB 2.0 type A 1 x USB 3.0 type A			
Serial/Parallel	1 x RS-232 DB-9(COM2) 1 x DB-9 RS-232/422/485 (Default RS-232)(COM1) 1 x HDMI Port (Reserved, no printing)			
Audio	1 x Audio Line Out			
LAN	2 x GbE LAN RJ-45			
Power	1 x 3-pin DC Power input terminal 1 x 2-pin connector for power on/off button			
Option	2 x RS-232 DB-9 + 1 x Mini-PCle slot via TB-528C2ME1 2 x CAN bus via TB-528CAN2 2 x USB 2.0 type A + 1 x Mini-PCle slot + 1xRS-232 DB-9 via TB-528C1U2P1 2 x USB 2.0 type A Via TB-528U2			
Expansion Slot	1 x Internal Mini-PCle slot full size			
Storage Space				
HDD	1 x 2.5" SATA HDD bay for SATA HDD (Easy Accessible)			
Movable device	1 x SD card slot, up to 32GB			
Display				
Display Type	15.6" color TFT LCD	17" color TFT LCD	18.5" color TFT LCD	21.5" color TFT LCD
Max. Resolution	1366 x 768	1280 x 1024	1366 x 768	1920 x 1080
Max. Color	16.7 M	16.7 M	16.7 M	16.7 M
Luminance (cd/m ²)	300	350	300	250
Contrast Ratio	500 : 1	1000 : 1	1000 : 1	3000 : 1
Viewing Angle	160 (H) / 160 (V)	170 (H) / 160 (V)	170 (H) / 160 (V)	178 (H) / 178 (V)
Backlight Lifetime	50,000 hrs	30,000 hrs	50,000 hrs	50,000 hrs
Touch screen – Resistive Touch Screen				
Interface	USB			
Light Transmission(%)	80%			
Touch screen – Projected Capacitive Touch Screen				
Interface	USB			
Light Transmission(%)	90%			

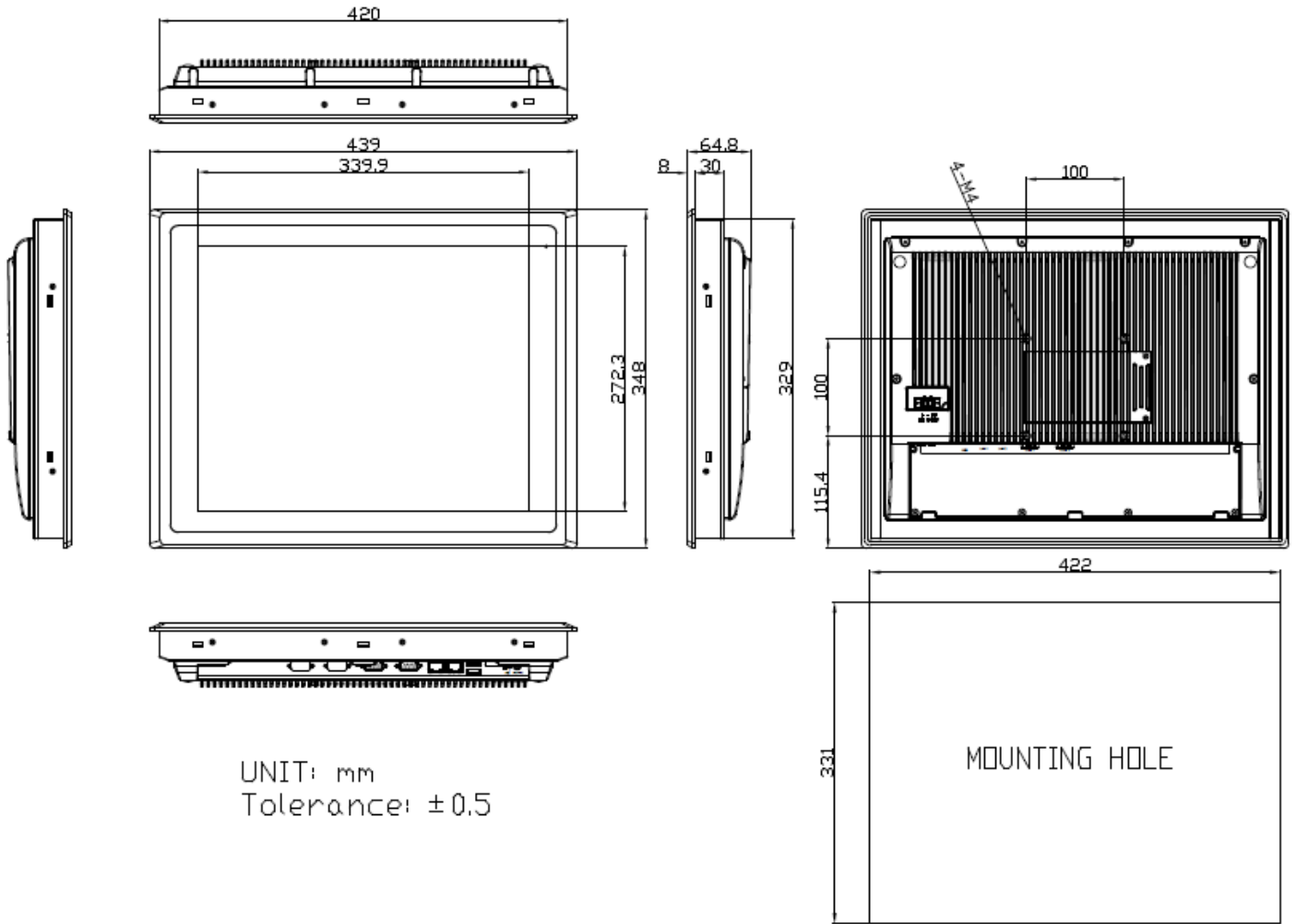
Power				
Power Input	9~36V DC			
Power Consumption	10W	21W	19.5W	26.6W
Mechanical				
Chassis Color	RAL9007			
Front Bezel Metal	Aluminum / Panel Mounting			
Rear Panel Metal	Aluminum / VESA Mount 100 x 100			
IP Rating	IP65 Compliant Front Panel			
Dimension (mm)	412 x 277.5 x 60.4	439 x 348 x 64.8	499.6 x 314.6 x 60	557 x 362 x 64.8
Net Weight (KG)	4.8 Kg	5.1 Kg	5.9 Kg	7.5 Kg
Environmental				
Operating temperature(°C)	0~50°C			
Storage temperature(°C)	-20~60°C			
Storage humidity	10 to 90% @ 40°C, non- condensing			
Certification	CE / FCC Class A			
OS Support	Windows Embedded Compact 7, Windows 7, Windows Embedded Standard 7 Windows 8, Windows Embedded 8 Standard, Windows 8.1 Windows Embedded 8.1 Industry			

Dimensions

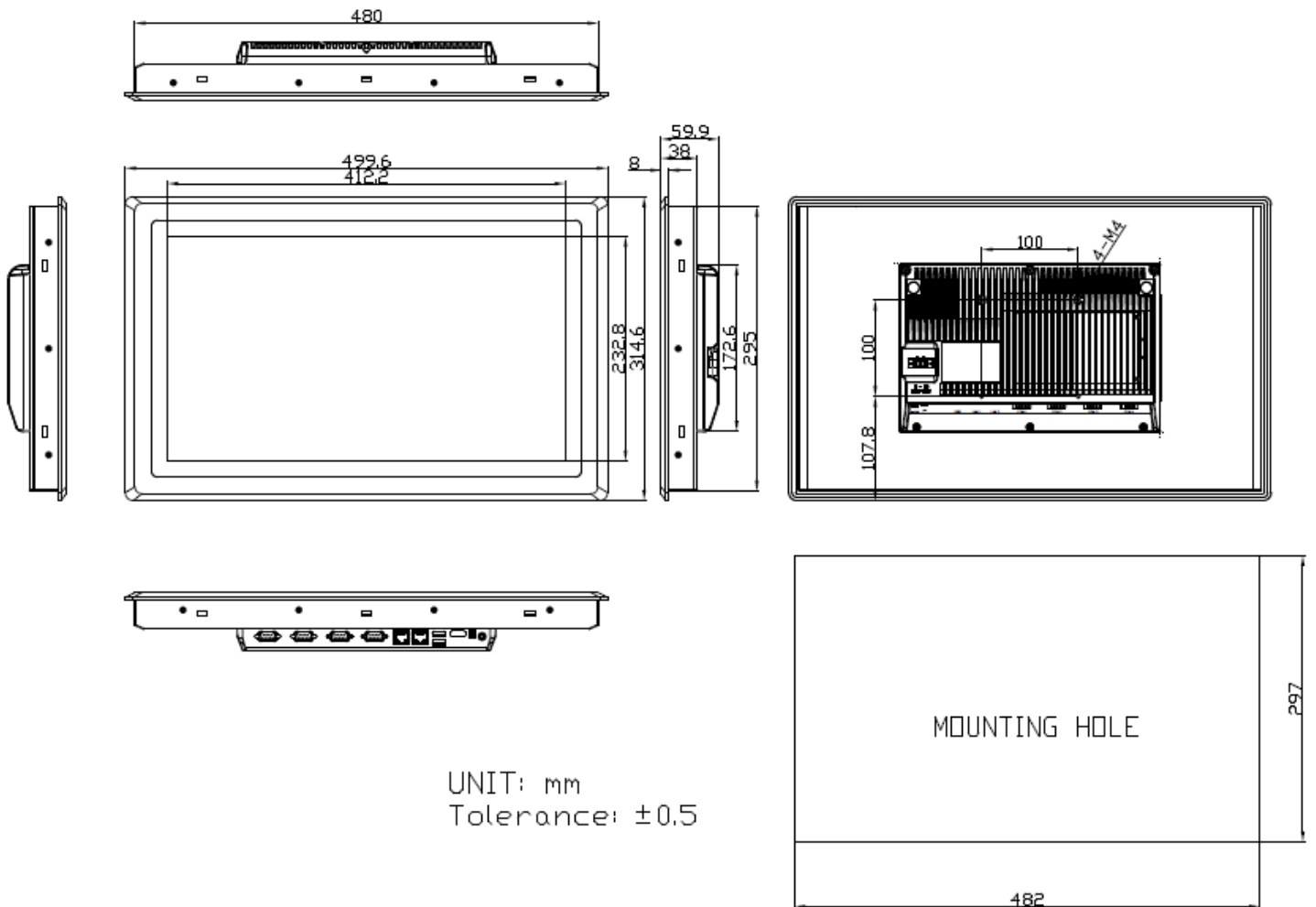
AHMI-816(P)



AHMI-817(P)



AHMI-818(P)



AHMI-821(P)

